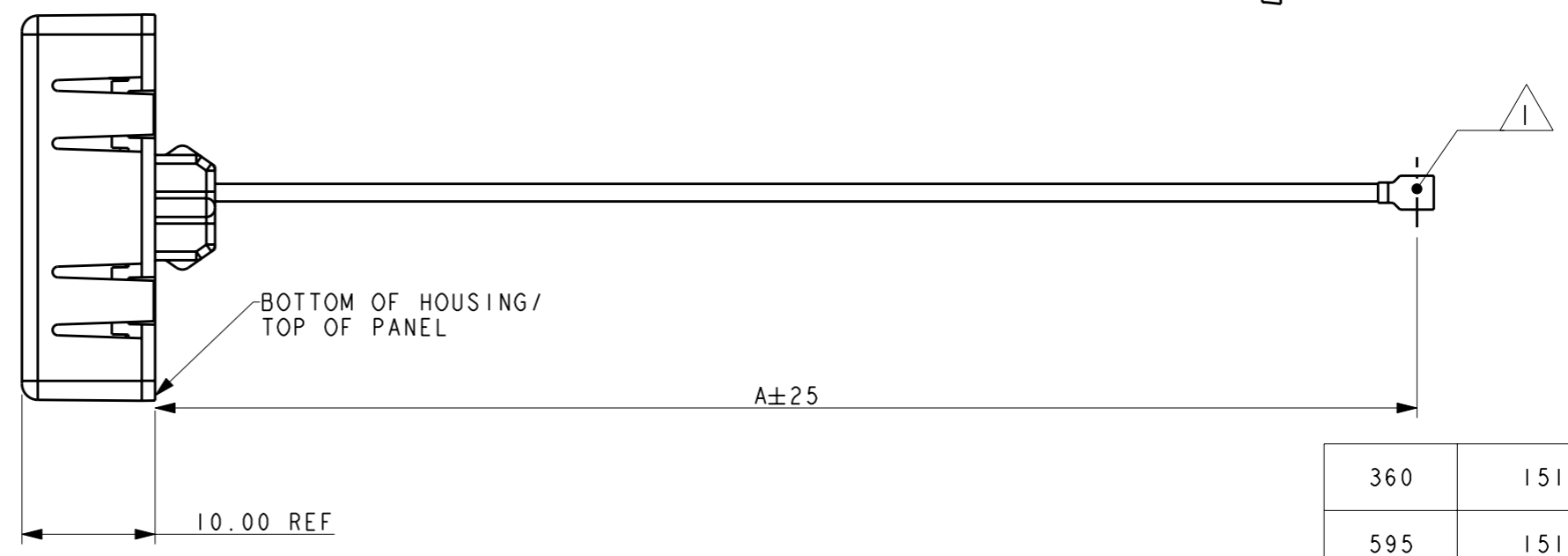
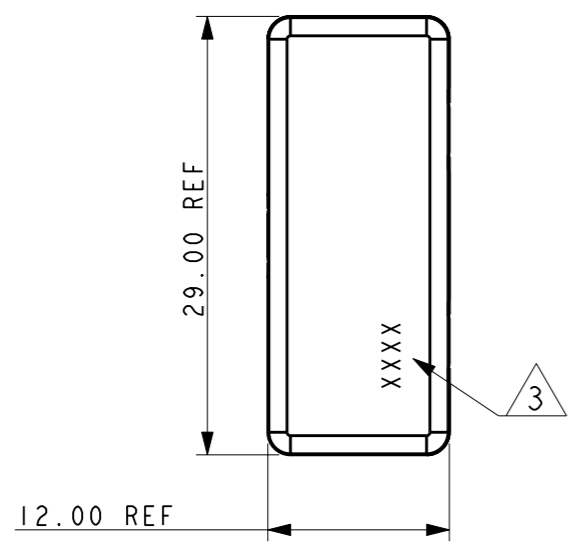
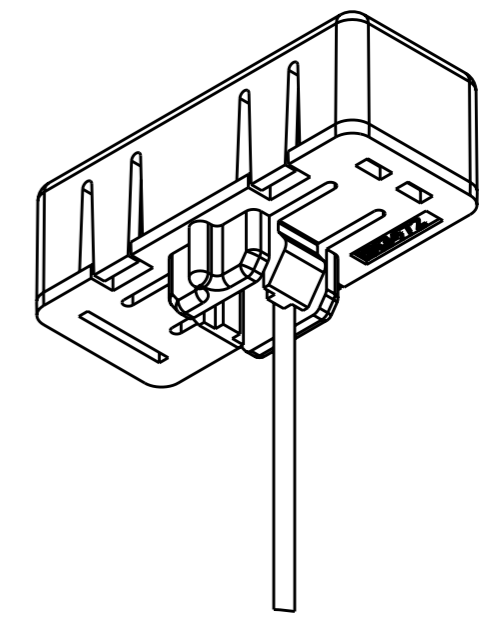
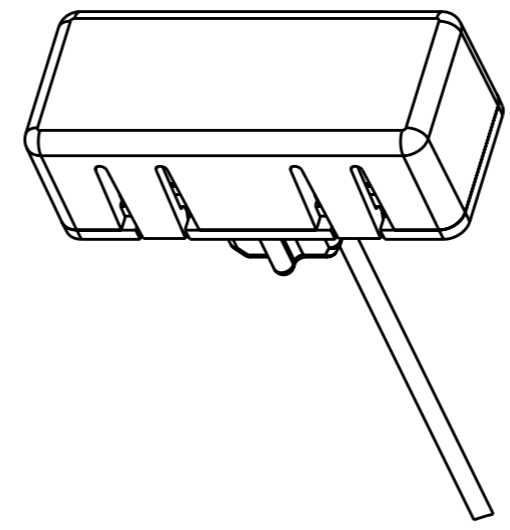
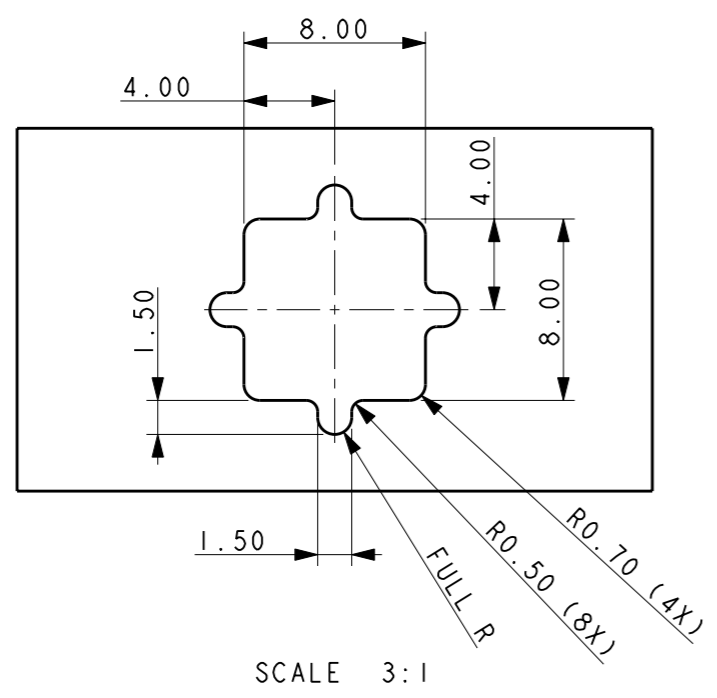


THIS DRAWING IS UNPUBLISHED. RELEASED FOR PUBLICATION 20
 © COPYRIGHT 20 BY TYCO ELECTRONICS CORPORATION. ALL RIGHTS RESERVED.

LOC	DIST	REVISIONS				
P	LTR	DESCRIPTION	DATE	DWN	APVD	
HQ	00	B	REV PER ECO 10-022420	02NOV2010	DW	GG

PANEL CUTOUT DIMENSIONS
 (Tolerances .XX ±0.10)



360	1513472-5
595	1513472-1
A	PART NUMBER

NOTES: UNLESS OTHERWISE SPECIFIED.

- 1 MINI COAX CABLE DIAMETER 1.13 mm TERMINATED WITH U.FL CONNECTOR.
- 2. COMPONENTS AND ASSEMBLY ARE COMPLIANT TO RoHS STANDARDS.
- 3 4 DIGIT DATE CODE
- 4. FOR DESIGNS UTILIZING 1513472-1 OR 1513472-5 PLEASE SEE TYCO ELECTRONICS DS1513472-1 OR DS1513472-5 RESPECTIVELY

<small>THIS DRAWING IS A CONTROLLED DOCUMENT FOR TYCO ELECTRONICS CORPORATION IT IS SUBJECT TO CHANGE AND THE CONTROLLING ENGINEERING ORGANIZATION SHOULD BE CONTACTED FOR THE LATEST REVISION.</small>		DWN	APV	25FEB2009	Tyco Electronics Rochester, NY 14623		
DIMENSIONS: mm		CHK	-	-	NAME		
		APVD	-	-	UNIVERSAL ANTENNA MODULE (UAM) WLAN		
TOLERANCES UNLESS OTHERWISE SPECIFIED: 0 PLC ±. 1 PLC ±. 2 PLC ±. 3 PLC ±. 4 PLC ±. ANGLES ±.		PRODUCT SPEC	-	-	SIZE	A3	
MATERIAL	-	APPLICATION SPEC	-	-	CAGE CODE	00779	
FINISH	-	WEIGHT	-	-	DRAWING NO	C-1513472	
CUSTOMER DRAWING			SCALE		2:1	SHEET 1 OF 1	
						RESTRICTED TO	-
						REV	B